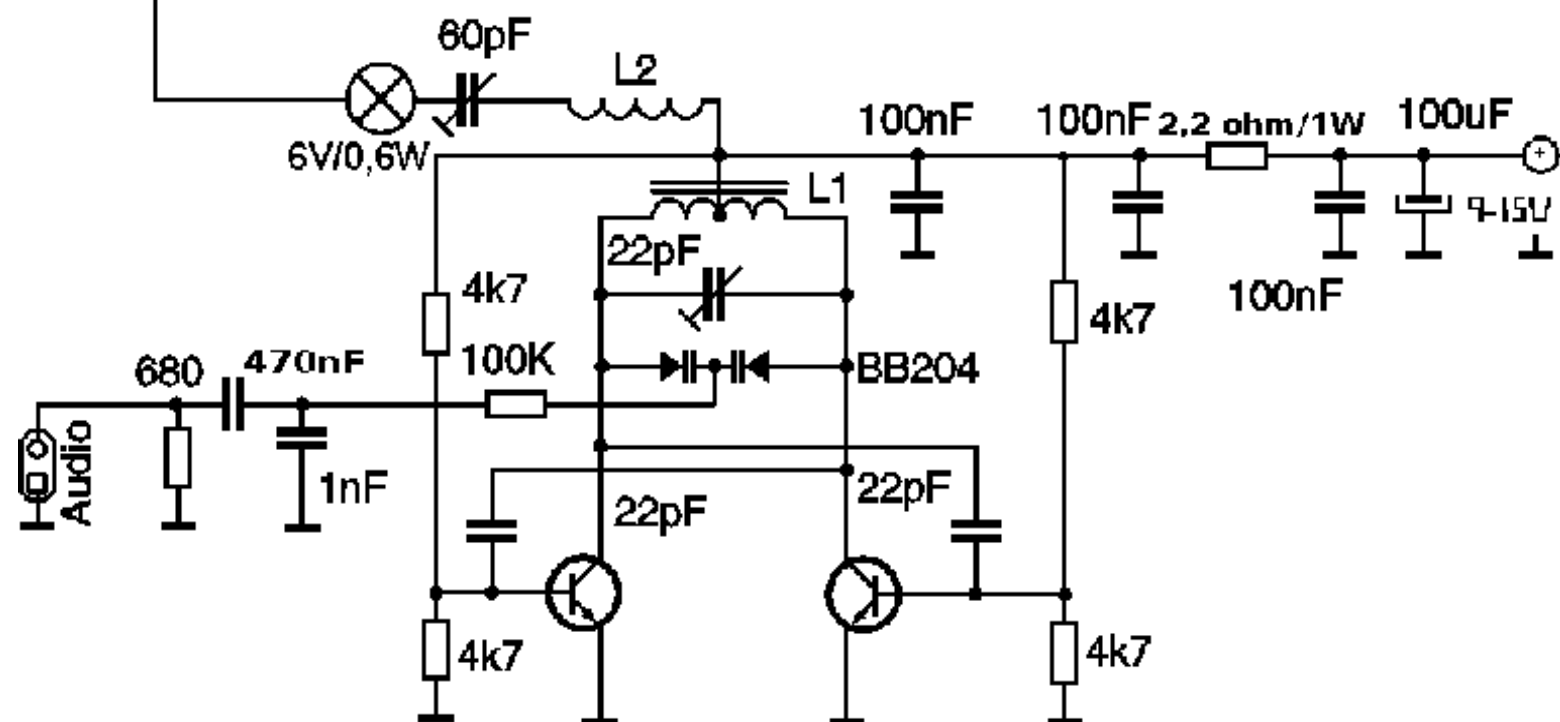


Aerial

L1: 5 turns of CuAg 0,8mm wire on 5mm body with ferit core

L2: 2-4 turns of ordinary Cu-PVC isolated wire over L1

WWW.MAX-TRANSMITTERS.COM



T1 & T2; 2x 2N3866, 2SC1971, 2N3553