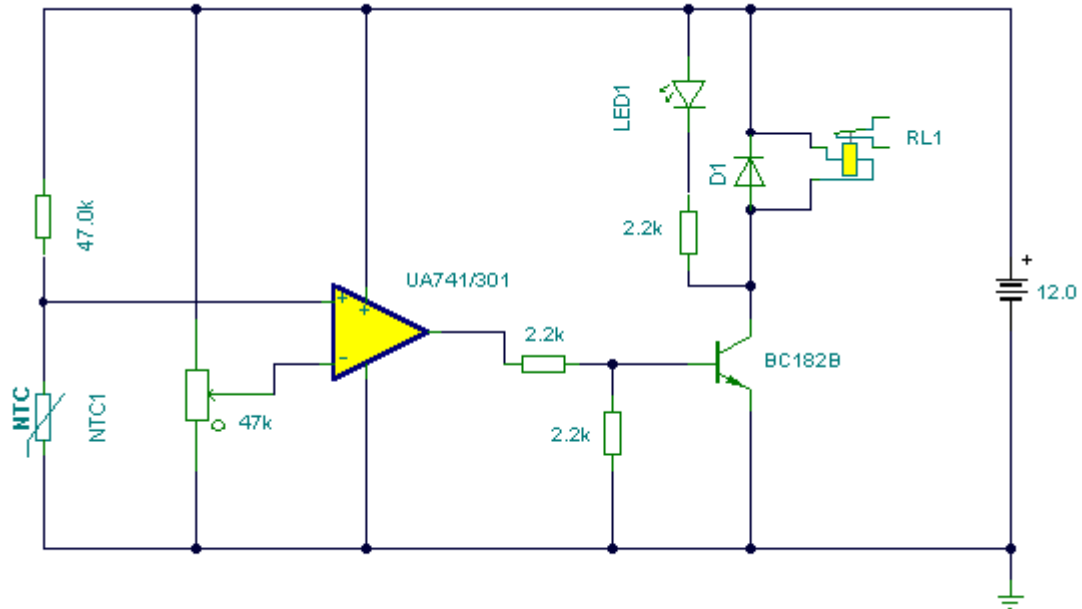


# Temperature Monitor



## Notes:

Using a thermistor in the position shown makes a heat activated sensor. A change in temperature will alter the output of the opamp and energize the relay and light the LED. Swapping the position of the thermistor and 47k resistor makes a cold or frost alarm.