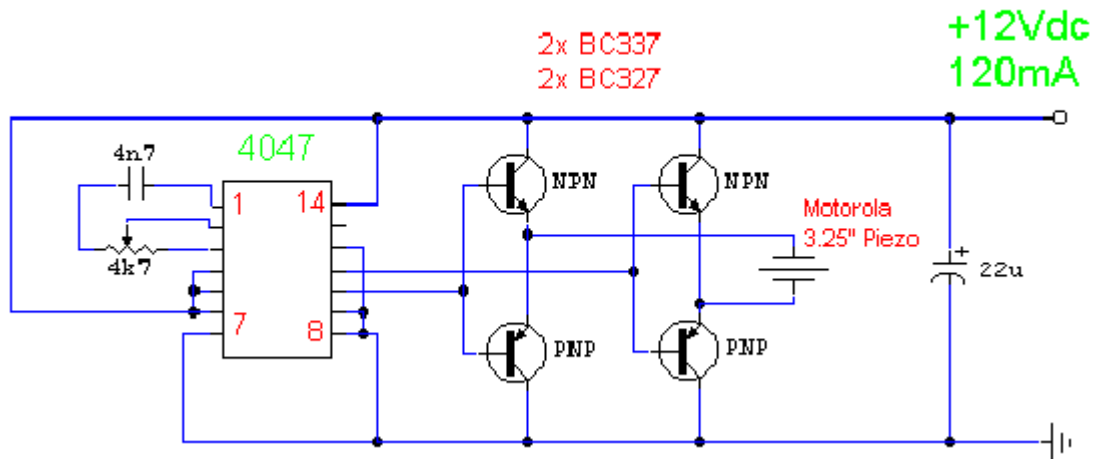


Insect Repellant



Notes:

Repell those repugnant insects from your Garden this Summer with this insect repellant circuit. Designed by Graham Maynard the circuitry consists of a phase locked loop (CMOS 4047) wired as a 22KHz oscillator. The output is amplified by a pair of complimentary output transistors and drives a Motorola 3.25 inch Piezo. Current drain is around 120mA so an external power supply is recommended.

The piezo used was a standard 85mm square Motorola Horn, Maplin part number WF09K or WF55K. These are rated +/-3dB to 28kHz.